

TekSpan® T-Plate Brackets

Product Code: R954-120 / R954-121

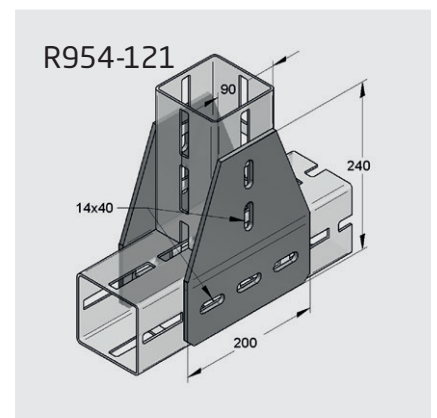
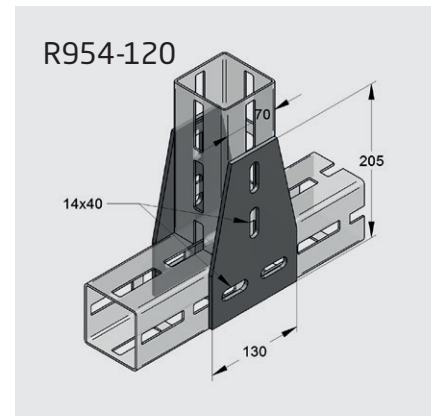
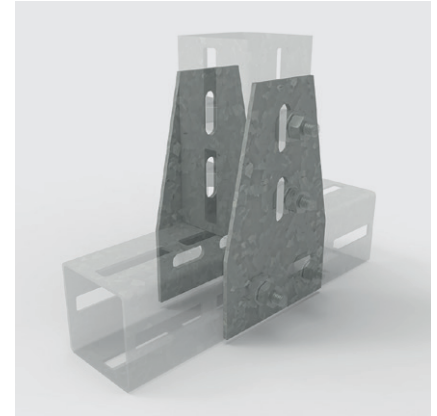
Description

TekSpan® T-Plate Brackets for 80mm and 100mm profiles. Use in pairs.

T-plate brackets, for face-fixing of a vertical joint.

Technical Details

Product Code	R954-120	R954-121
Pack Qty	1 Pair	1 Pair
Weight	1.84kg/pr	3.94kg/pr
Material	Steel S235	Steel S235
Finish	HDG	HDG
Profile type	80mm	100mm
Width	130mm	200mm
Length	205mm	240mm
Thickness	5mm	6mm
Slot size	14x40mm	14x40mm
Load Fx	32kN	40kN
Load Fz	32kN	40kN
Limited torque	0.95kNm	1.2kNm



Certifications

