

TekSpan® Integral Base Plate Foot and Profile

Product Code: R954-105 / R954-106 / R954-107

Description

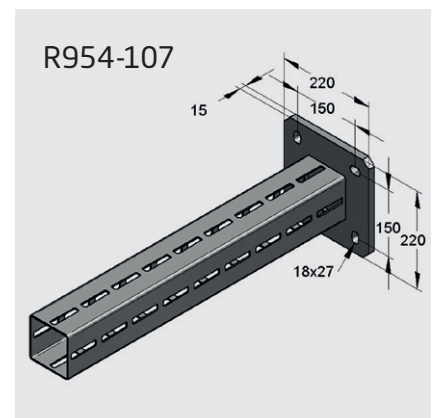
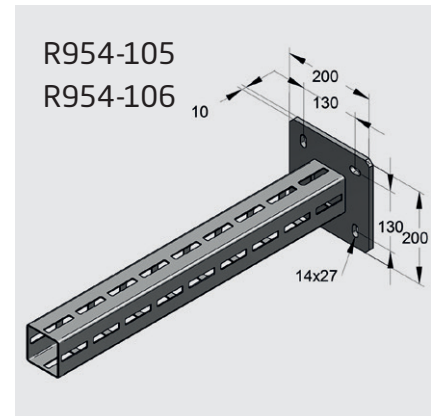
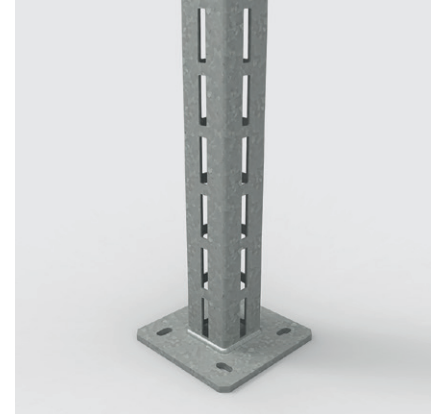
TekSpan® Integral Base Plate and Profile.

For lower height installs and wall-mounting - 80mm and 100mm profiles.

Base plate pre-welded to profile.

Technical Details

Product Code	R954-105	R954-106	R954-107
Pack Qty	1	1	1
Weight	7.26kg/pc	11.23kg/pc	11.92kg/pc
Material	Steel	Steel	Steel
Finish	HDG	HDG	HDG
Profile type	80mm	80mm	100mm
Width plate	200mm	200mm	220mm
Length plate	200mm	200mm	220mm
Hole distance	130mm	130mm	150mm
Plate thickness	10mm	10mm	15mm
Profile width	80mm	80mm <td 100mm	
Profile height	80mm	80mm	100mm
Length console	720mm	1440mm	720mm
Plate slot size	27x14mm	27x14mm	27x18mm
Load F1	8.38kN	4.19kN	16.17kN
Load F2	4.19kN	1.31kN	8.08kN
Load q0	11.64kN/m	2.42kN/m	22.45kN/m
Profile thickness	2.5mm	2.5mm	3.0mm



Certifications

