

## TekSpan® Heavy Duty Thread Connector M16

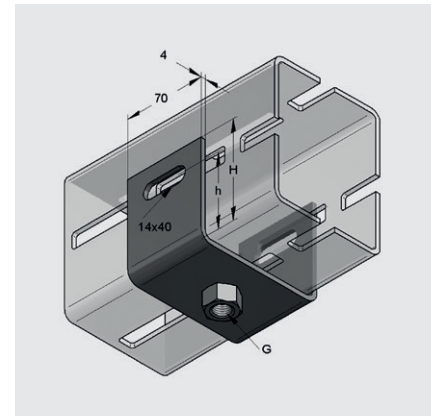
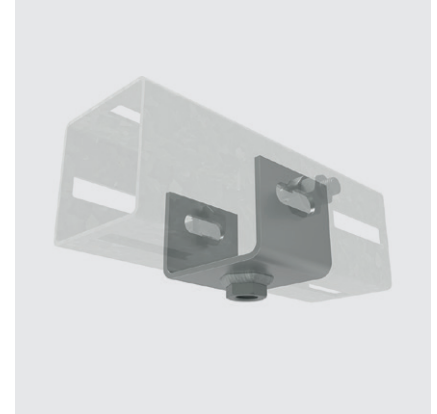
Product Code: R952-066 / R952-067

### Description

TekSpan® Heavy Duty Thread Connector M16 for 80mm and 100mm profiles.  
For mounting on TekSpan profile to make threaded connections.

### Technical Details

Product Code	R952-066	R952-067
Pack Qty	1	1
Weight	0.48kg/pc	0.557kg/pc
Material	Steel S235	Steel S235
Finish	Zinc-Nickel	Zinc-Nickel
Profile type	80mm	100mm
Connection	M16	M16
Width	90mm	110mm
Height	64mm	74mm
Length	70mm	70mm
Slot size	14x40mm	14x40mm
Load Fz	5kN	5kN
Thickness	4mm	4mm



### Certifications

