

P1272 CHANNEL BEAM CLAMP

T321-125



DESCRIPTION

Small C Clamp c/w Cone Point

FINISH

Hot Dipped Galvanised

MATERIAL

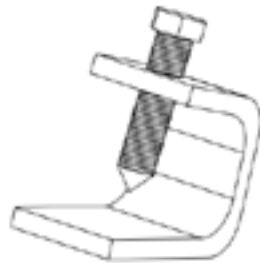
Steel

PACKAGING

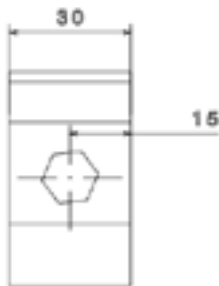
Packed in boxes of 50

ADDITIONAL NOTES

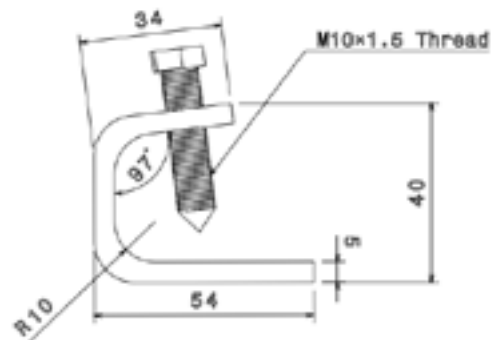
Supplied with M10 x 40mm 8.8HT BZP cone point bolt



Isometric view



Top view



Side view